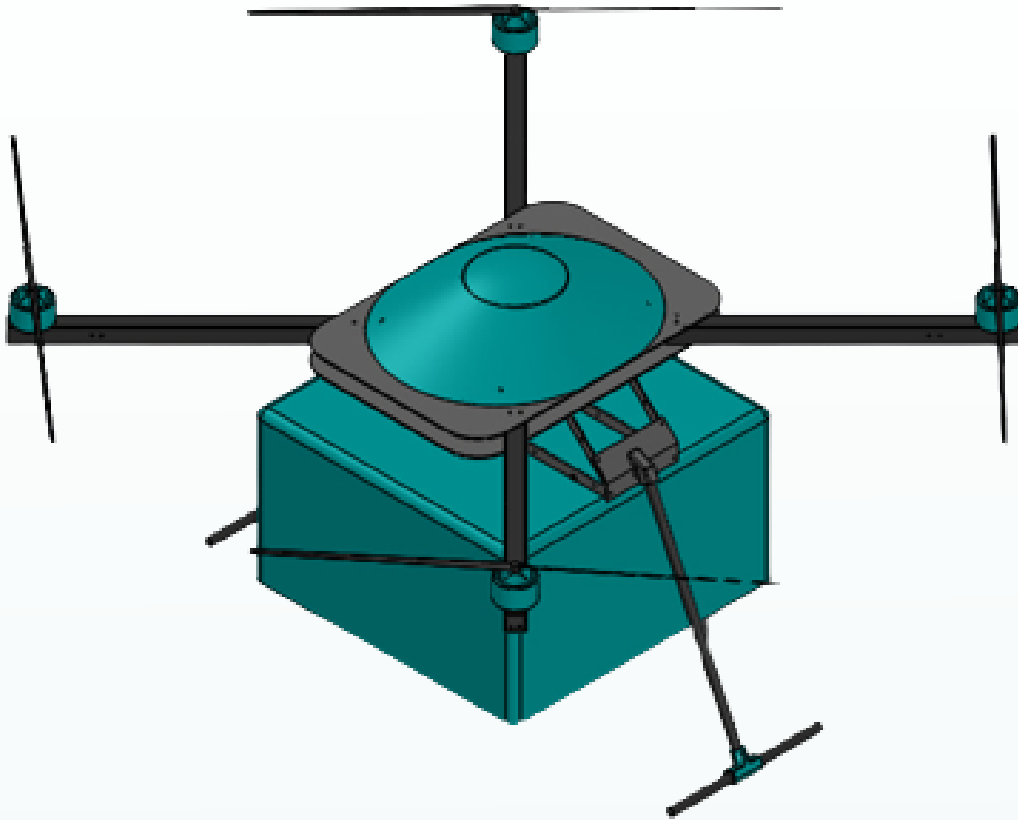


# VAHAK

Aerial Messenger



VAHAK UAV is build for Precision Aerial Delivery with best in class features

Load Capacity  
5 Kg\*

Take-off Weight  
21 kg

Flight Time  
Up-To 35mins

Range  
10 Km\*

Precision Drop  
1 m

Cruise Speed  
5- 14 m/sec

## Why VAHAK UAV

Airborne operation is often the fastest means of getting the work done with precision.

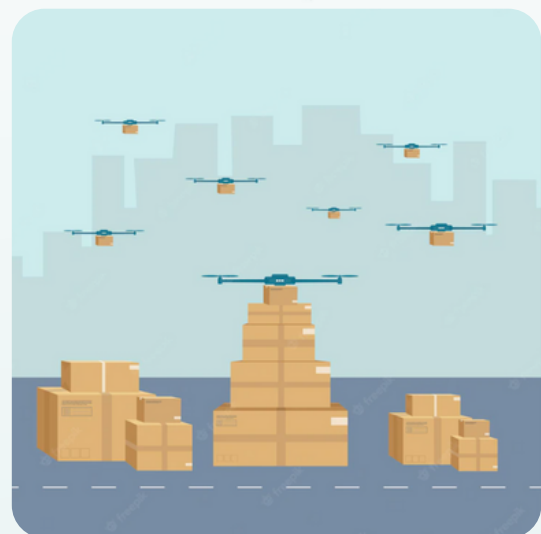
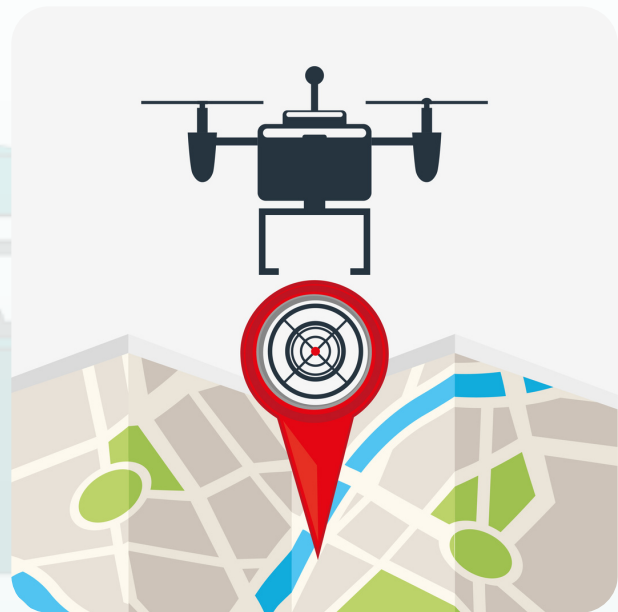
- Congestion-free delivery
- Reduced emissions
- Access for all
- Quiet and fast delivery

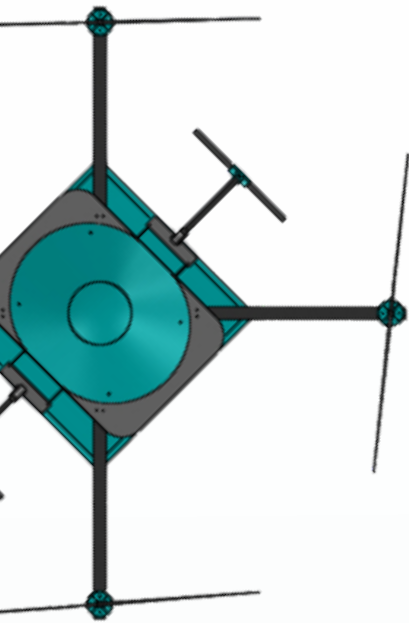
VAHAK UAV is built with a mission to make delivery instant for everyone, and a vision of drone delivery that is safer, speedier, quieter, cheaper, and greener.



## Our Solution

- Customizable cargo compartment for various types of loads
- Proper Training and support Included.
- Environment friendly product powered by electricity.





VAHAK

## DESIGN

Load Capacity  
5 Kg

Folding  
Arms & Propellers

Weight  
21 kg

Cruise Speed  
5-14m/s

Operating Altitude  
200 m AGL\*

## PROPULSION

Endurance  
35 mins\*

Range  
10 km\*

Propeller Size  
30 inch

## PAYLOAD

- Cargo compartment

## DELIVERY SYSTEM

Precision drop  
1 m

Temperature  
controlled cargo  
Yes (Optional)

Quick Release load  
Hook  
Yes

RTL on Mission end

## FAIL SAFE FEATURES

- Return to Launch RTL on low battery
- Return to Launch RTL on Communication failure
- Load Delivery RTL
- Terrain Sensing (Auto adjust alt according to the terrain)\*

## GROUND CONTROL STATION GCS

- Tablet
- Handheld Radio Controller





# D'AVIATORS

CUSTOMIZED DRONE SOLUTIONS

[WWW.DAVIATORS.COM](http://WWW.DAVIATORS.COM)

E-Mail - [info@daviators.com](mailto:info@daviators.com)

Phone Number - +91-8383998169, 9650067662

Address: 312, Shivlok House 1, Karampura Commercial Complex,  
New Delhi-110015



Scan to Add Contact Details