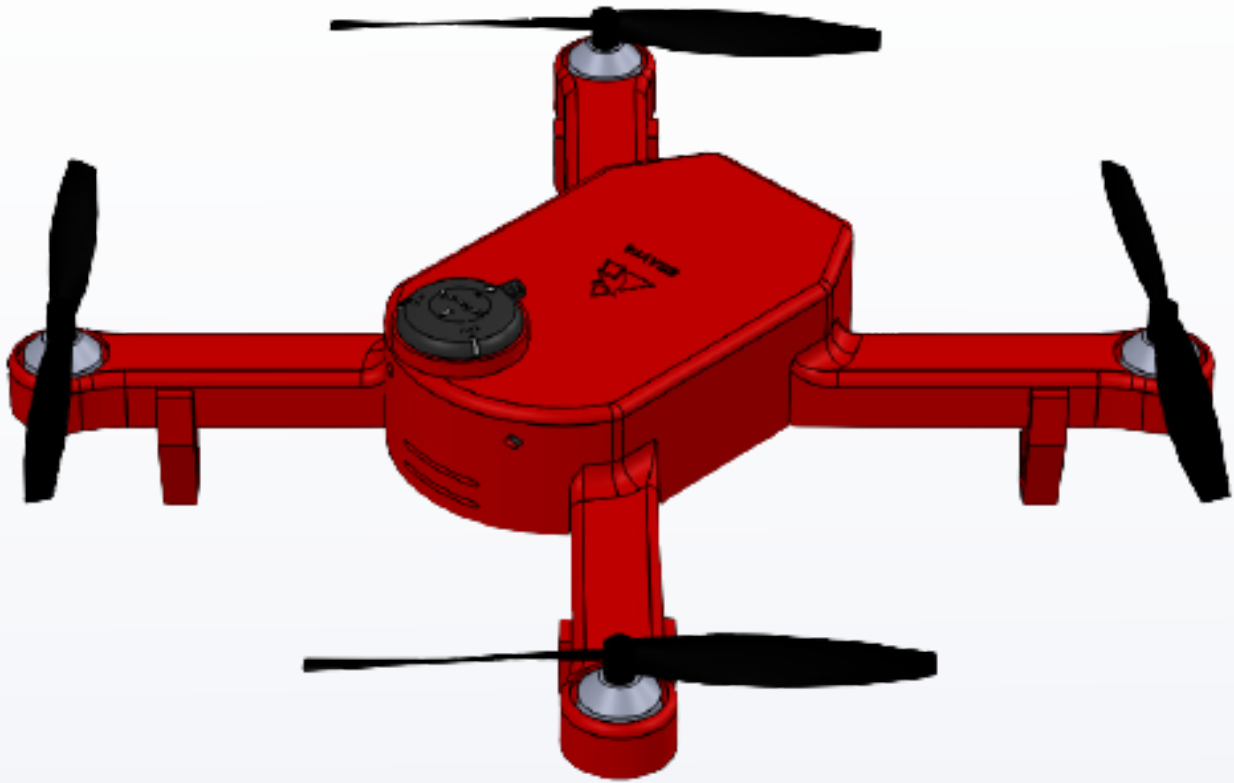


EKLAVYA

UAV Flight Training Kit



Operational Range
Over 1 km*



Take-off Weight
1 Kg



Flight Time
25 mins*

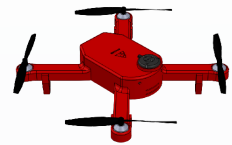


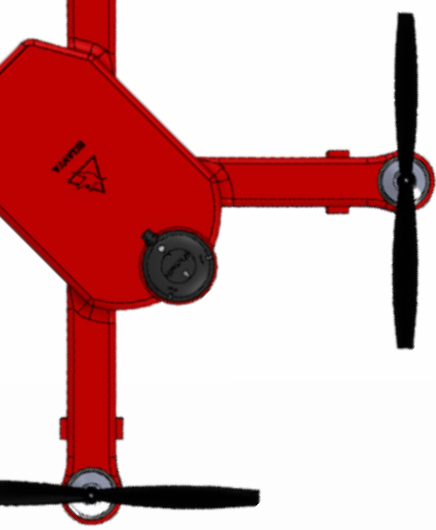
EKLAVYA is built for Flight Training.

Trainer Mode Enabled Aircraft - Master & Slave Radio Systems for 2 pilot operation.

Trainer Mode

- Two handheld Radio Controller for trainer and slave.
- Trainer Mode is used for teaching students how to fly a drone.
- In this mode experienced pilot is ready to take control of the aircraft in case of emergency situation during the flight.
- Efficient - Eklavya is very stable and allows the pilot to efficiently enhance his piloting skills
- Reliable - When it comes to training safety Eklavya is the utmost factor. It comes with various fail-safe option enabled making it the most reliable drone
- Affordability - Eklavya is less expensive compared to any other drone of the same category.
- One of the best and fastest ways to drastically increase your piloting skills is through practical flight training. Completely reliable and extremely safe for all levels of piloting skills.
- Eklavya also allows to set geo fencing which will restrict the drone to fly away from the intended field of operation.





EKLAVYA

SPECIFICATIONS

Endurance

25 mins*

Range

1 km*

Weight

1 kg

Cruise Speed

Up-to 7m/s

Max. Ceiling Height

200m AMSL

Operating Altitude

Up-to 60m

FAIL SAFE FEATURES

- Return to Launch RTL on low battery
- Return to Launch RTL on Communication failure
- Return to Launch RTL on fence breach

GROUND CONTROL STATION (GCS)

- Two handheld Radio Controller



 info@daviators.com

www.daviators.com